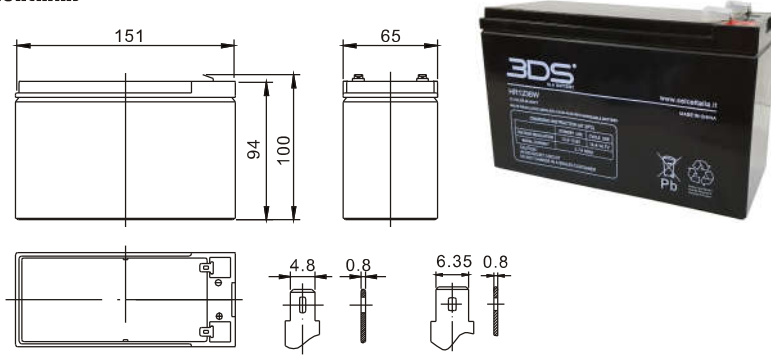


High Rate Series

AVHR1236W (12V36Watts/cell@15min.Rate)

Dimension(mm)

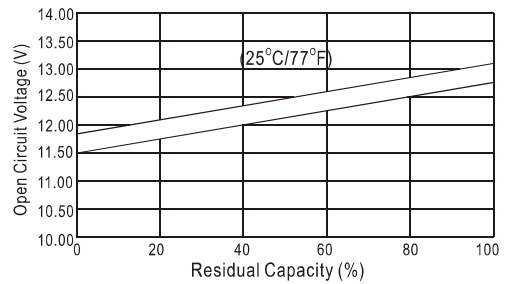


T1 T2
Terminal

Specification

Nominal Voltage	12 V	
Capacity(20HR, 25 °C)	9Ah(36Watts/cell@15min.Rate)	
Dimension	Length	151mm (5.9inch)
	Width	65mm (2.6inch)
	Height	94mm (3.7inch)
	Total Height(T1/T2)	100mm (3.9inch)
Approx. Weight	2.6kg (5.73lbs)	

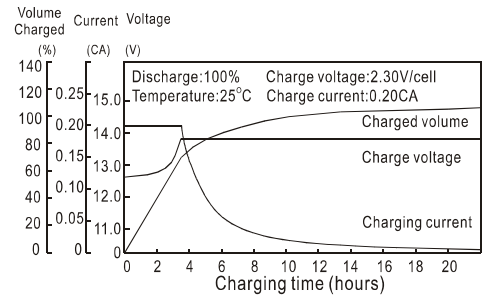
The Relationship for Open Circuit Voltage and Residual Capacity (25°C)



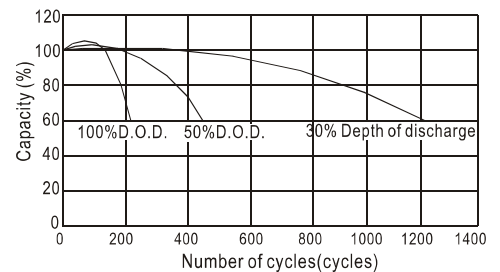
Characteristics

Capacity 20 (68H) To 1.70V/Cell	20 hour rate	9Ah
	10 hour rate	8.5Ah
	5 hour rate	7.9Ah
	1 hour rate	5.72Ah
	15 min rate	4.4Ah
Internal resistance(Fully charged, 25 °C)	Approx. 19m	
Capacity affected by temperature (20HR)	40	102%
	25	100%
	0	85%
	-15	65%
Self-discharge (25 °C)	3 month	Remaining Capacity: 91%
	6 month	Remaining Capacity: 82%
	12 month	Remaining Capacity: 65%
Nominal operating temperature	25 3 (77H 5H)	
Operating temperature range	-15 50 (5H 122H)	
Float charging voltage(25 °C)	13.50 to 13.80V	
Cyclic charging voltage(25 °C)	14.50 to 14.90V	
Maximum charging current	2.7A	
Terminal material	Copper	
Maximum discharge current	135A(5 sec.)	

Charging Characteristics(25°C)



Cycle Life(25°C)



Constant Current Discharge Characteristics (A, 25°C)

F.V/TIME	5min	10min	15min	30min	60min	3h	5h	10h	20h
1.60V/cell	37.8	24.1	18.2	10.4	5.95	2.33	1.60	0.86	0.46
1.67V/cell	36.6	23.3	17.8	10.1	5.80	2.31	1.58	0.85	0.45
1.70V/cell	35.9	22.9	17.5	10.0	5.72	2.30	1.58	0.85	0.45
1.80V/cell	33.8	21.5	16.6	9.48	5.43	2.25	1.54	0.85	0.45

Constant Power Discharge Characteristics (Watt/Cell, 25°C)

	5min	10min	15min	30min	60min	3h	5h	10h	20h
71.1	45.8	35.4	20.3	11.6	4.66	3.20	1.72	0.91	
68.8	44.3	34.5	19.8	11.3	4.62	3.17	1.71	0.91	
67.5	43.5	34.0	19.5	11.1	4.59	3.15	1.70	0.91	
63.5	40.9	32.3	18.5	10.6	4.50	3.09	1.70	0.90	